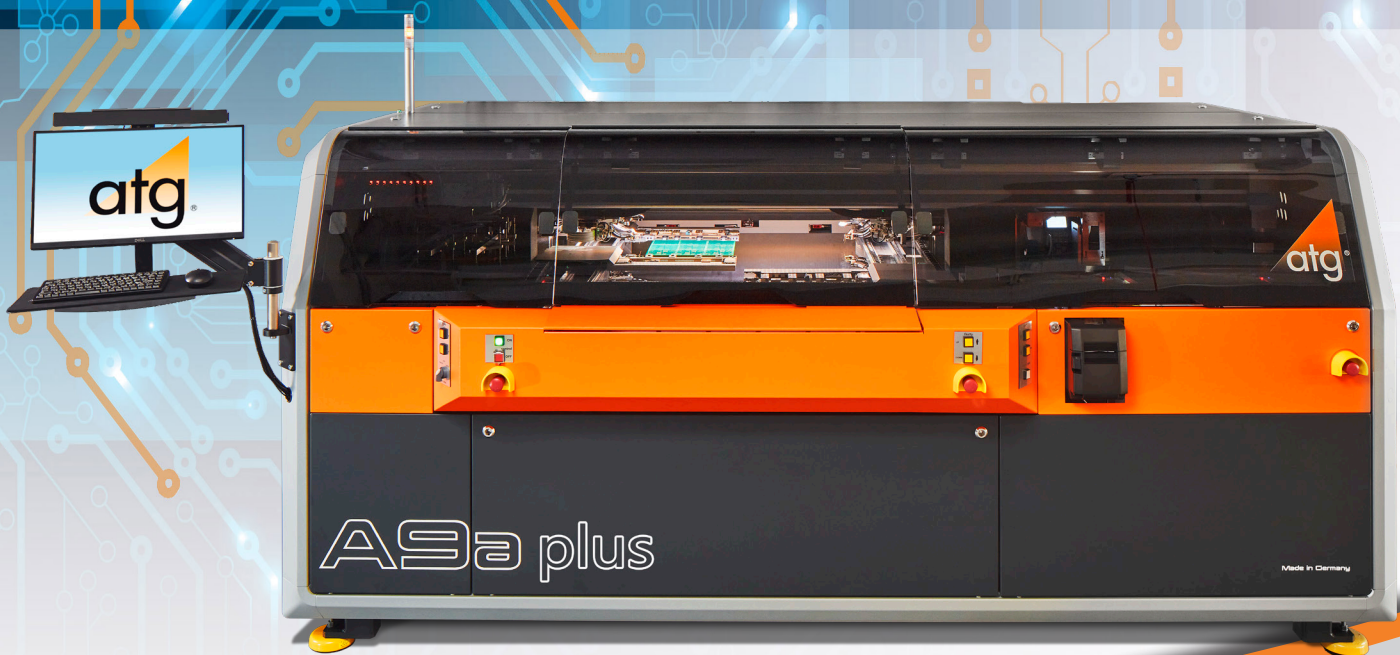


A9a plus Flying Probe Test System Dual Shuttle

Automated Test for Substrates and Substrate like PCB

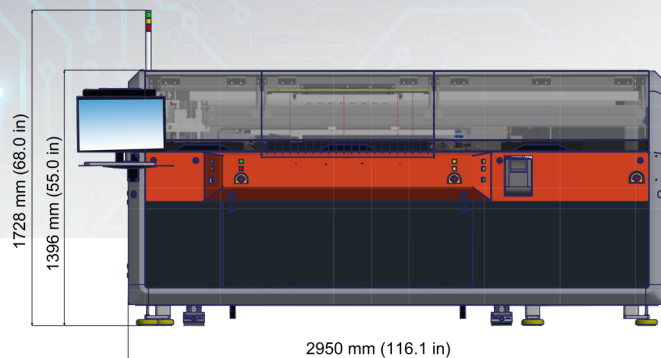


- ▲ Latest Generation in advanced technology
- ▲ 8 ultra light carbon fiber test heads
- ▲ Fully Automatic “Lights-out” operation
- ▲ High performance linear motion
- ▲ Granit base for high accuracy and repeatability

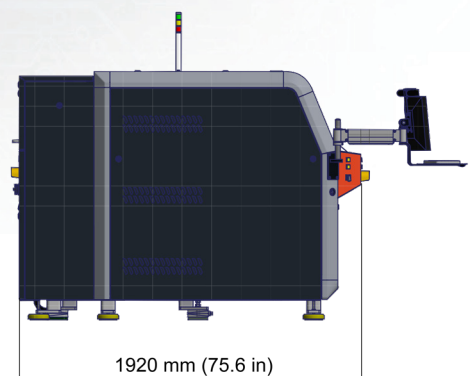
A9a plus Technical Specifications

Dual Shuttle

Flying Probe Test System



Front View



Side View

Mechanics

Fully automated test system for medium batch sizes in lights-out operation.
Basic unit with 8 test probes (4 top, 4 bottom)

Board Handling

Automation mode:	
Max. board size (X x Y)	480 mm x 420 mm / 18.9" x 16.5"
Test area (X x Y)	480 mm x 420 mm / 18.9" x 16.5"
Manual mode:	
Max. board size (X x Y)	610 mm x 535 mm / 24.0" x 21.0"
Test area (X x Y)	610 mm x 510 mm / 24.0" x 20.0"
Min. board size (X x Y)	50 mm x 40 mm / 2.0" x 1.6"
Board thickness	up to 1.6 mm, max. 2 kg
Product exchange time	0 s with dual shuttle mode, for test area max. 300 mm x 330 mm
Loader capacity	390 mm 240 boards / 1.6 mm thickness
Smallest pad	30 μm / 1.2 mil
Smallest pitch	60 μm / 2.4 mil
Resolution measurement system	$\pm 0.1 \mu\text{m}$ / ± 0.004 mil
Repeatable accuracy	$\pm 4 \mu\text{m}$ / ± 0.16 mil
Soft touch probes	5 g to 10 g
*Micro needle probes	0.3 g to 2.5 g

Electronics

Continuity test	1 Ω to 10 k Ω (2-wire)
Isolation test	up to 25 M Ω (FM), up to 100 G Ω (ohmic) MicroShort Detection [®]
Test voltage	100 mV to 1000 V

Camera System

4 high resolution color cameras for fast optical scanning of top and bottom side.
Resolution 3 μm /pixe
or
2 high resolution color cameras of bottom side, Resolution 3 μm /pixel and
2 standard color cameras for top side, Resolution 6 μm /pixel for fast optical scanning

Options

- 4-wire measurement with max. 300 mA test current
0 Ω to 1 k Ω $\pm 2\%$, min. $\pm 25 \mu\Omega$
with Kelvin probes 0.3 g to 2.5 g
Smallest pad 60 μm / 2.4 mil*
Smallest pitch 100 μm / 4.0 mil*
* special setup
- Embedded components test
R 0 Ω to 1 M Ω $\pm 1\%$, min. $\pm 0.5 \Omega$
1 M Ω to 200 M Ω $\pm 3\%$
C 0 F to 100 μF $\pm 2\%$, min. ± 30 fF
L 0 H to 10 mH $\pm 5\%$, min. $\pm 0.25 \mu\text{H}$
Diode / Varistor (on inquiry)
 U_{F1}, U_{R1}, U_{BR1} 0 V to 12.5 V
Structural test of integrated circuits:
opens/shorts test on CMOS devices with ESD diodes
- LaTest[®] open detection
- Label printer with barcode support
- Pen marker
- Retest of fault files from external grid test systems on inquiry
- Repair software with barcode support
- Tensioning modules for flexible board thickness 0,05 mm to 1.0 mm

Data input format	IPC-D-356A
Network connection	Ethernet, TCP / IP
Power supply	3 x 400 V, 50 Hz (3 x 208 V, 60 Hz), 1500 VA
Compressed air	8 bar / 115 psi, filtered
Temperature	18 $^{\circ}\text{C}$ to 27 $^{\circ}\text{C}$
Relative humidity	40% to 60%
Machine weight	2500 kg

All information subject to change without notice!
September 2022

atg Luther & Maelzer GmbH

Zum Schlag 3 · 97877 Wertheim · Germany
Phone +49 9342 291 0 · Fax +49 9342 395 10
sales@atg-LM.com · www.atg-LM.com